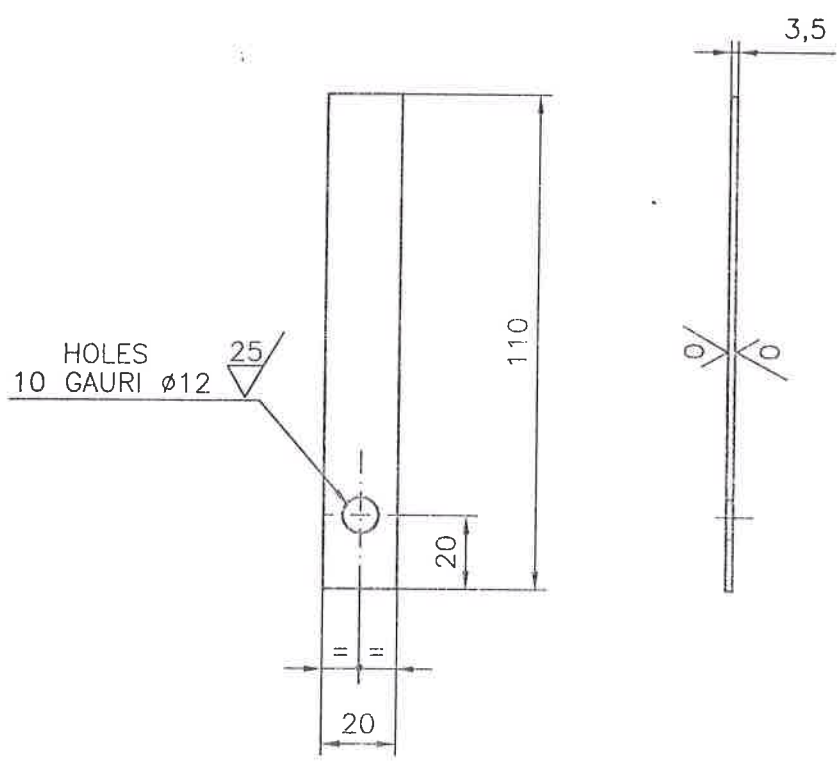


CODE: 04.936E-95-1

THESE DATA ARE CONFIDENTIAL AND THE PROPERTY OF IPIP-SA AND SHALL NOT BE DISCLOSED TO OTHERS OR REPRODUCED IN ANY MANNER FOR PURPOSE NOT PROVIDED AN AGREEMENT, UNLESS THERE IS THE WRITTEN PERMISSION OF IPIP-SA.



MATERIAL: FePO3 Am(A3K-03)

REV.	DESCRIPTION	DATE	DRAWN	CH'D	APP'D
8					
7					
6					
5					
4					
3					
2					
1					

DRAWN	VPV <i>VPV</i>	DATE: 2004.12
CHECKED	CNO <i>hal</i>	SCALE: -
APPROVED	DME <i>h-p</i>	MASA NETA : 0,060 KG



ROMANIAN ENGINEERING AND DESIGN
INSTITUTE FOR OIL REFINERIES
18, DILIGENTEI STREET
2000, PLOIESTI-ROMANIA

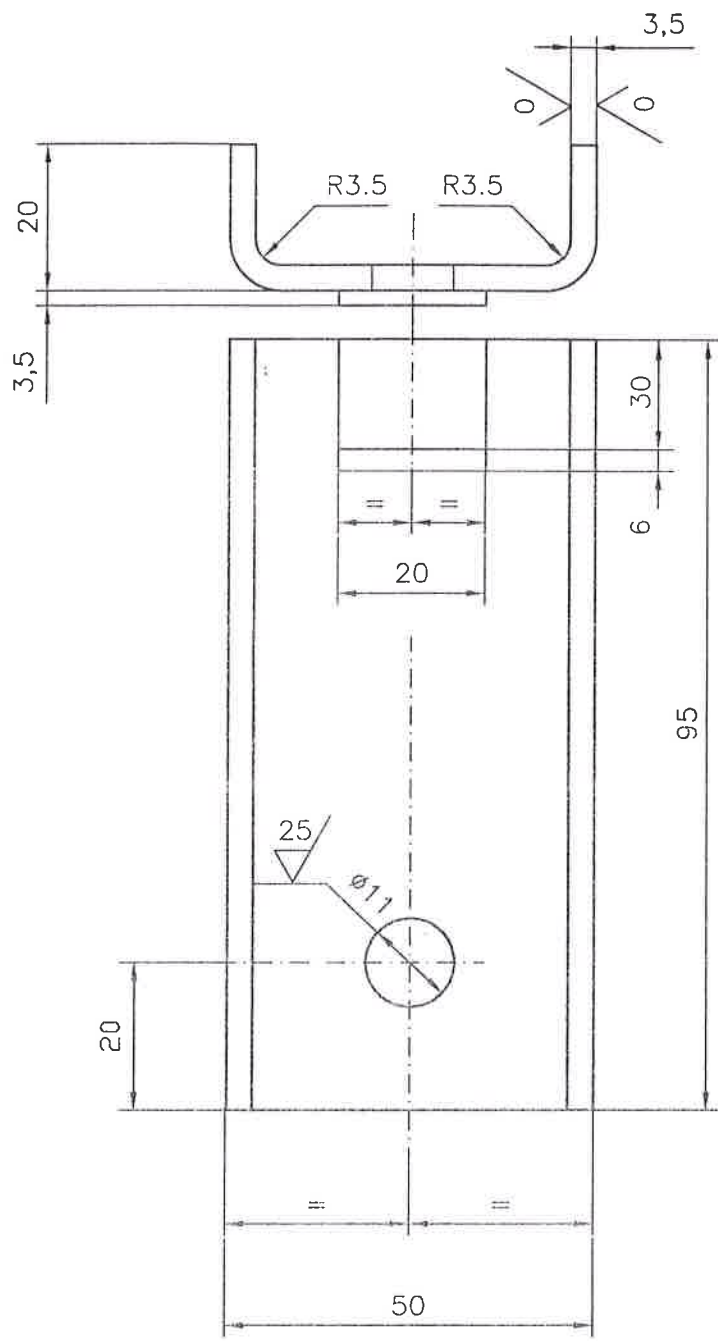
JOB: 319/2002-Ad.1/2004
CUSTOMER: S.C.PETROTEL LUKOIL-S.A.
UNIT: MTBE

SEAL PLATE
ELEMENT ETANSARE

U.341.208-51.14-0 ^{REV.} SHEET 1/1

CODE: 04.936E-95-1

THESE DATA ARE CONFIDENTIAL AND THE PROPERTY OF IPIP-SA AND SHALL NOT BE DISCLOSED TO OTHERS OR REPRODUCED IN ANY MANNER FOR PURPOSE NOT PROVIDED AN AGREEMENT, UNLESS THERE IS THE WRITTEN PERMISSION OF IPIP-SA.



--DEVELOPED WIDTH: 78,5 mm.
 --LATIMEA TABLEI DESFASURATE:



MATERIAL: FePO3 Am(A3K-03)

REV.	DESCRIPTION	DATE	DRAWN	CH'D	APP'D
8					
7					
6					
5					
4					
3					
2					
1					

DRAWN	VPV	DATE: 2004.12
CHECKED	CNO	SCALE: -
APPROVED	DME	MASA NETA : 0,200 KG



ROMANIAN ENGINEERING AND DESIGN
 INSTITUTE FOR OIL REFINERIES
 18, DILIGENTEI STREET
 2000, PLOIESTI-ROMANIA

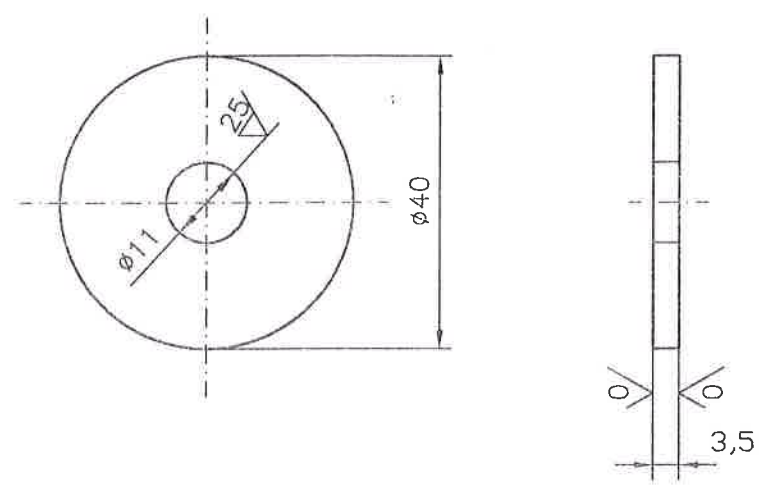
JOB: 319/2002-Ad.1/2004
 CUSTOMER: S.C.PETROTEL LUKOIL-S.A.
 UNIT: MTBE

SEAL PLATE
 ELEMENT ETANSARE

U.341.208-51.15-0 REV. SHEET
 1/1

CODE: 04.936E-95-1


THESE DATA ARE CONFIDENTIAL AND THE PROPERTY OF IPIP-S.A. AND SHALL NOT BE DISCLOSED TO OTHERS OR REPRODUCED IN ANY MANNER FOR PURPOSE NOT PROVIDED AN AGREEMENT, UNLESS THERE IS THE WRITTEN PERMISSION OF IPIP-S.A.



MATERIAL: FePO3 Am(A3K-03)

50 / / / /

REV.	DESCRIPTION	DATE	DRAWN	CH'D	APP'D
8					
7					
6					
5					
4					
3					
2					
1					



**ROMANIAN ENGINEERING AND DESIGN
INSTITUTE FOR OIL REFINERIES**

18, DILIGENTEI STREET
2000, PLOIESTI-ROMANIA

JOB: 319/2001-Ad.1/2004

CUSTOMER: S.C.PETROTEL LUKOIL-S.A.

UNIT: MTBE

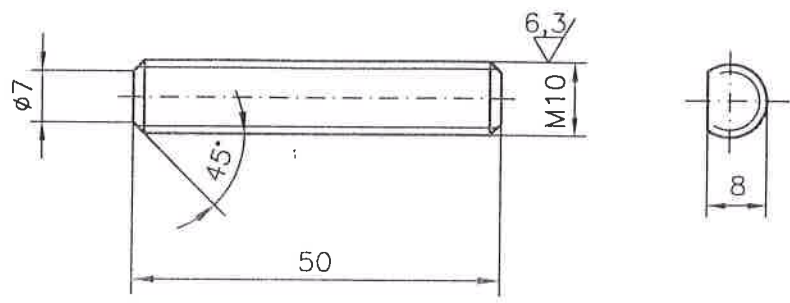
**WASHER
SAIBA ø40**

U.341.208-51.16-0

REV. 50

SHEET 1/1

DRAWN: VPV *VPV* DATE: 2004.12
 CHECKED: CNO *CNO* SCALE: -
 APPROVED: DME *DME* MASA NETA : 0,032KG



-SE EXECUTA FILET METRIC CONFORM STAS 6564-84
 CU TOLERANTE DE EXECUTIE 8g, CONFORM STAS 8165-82.


MATERIAL: X12Cr13 SREN 10088



CODE: 04.936E-95-1
 THESE DATA ARE CONFIDENTIAL AND THE PROPERTY OF IPIP-SA AND SHALL NOT BE DISCLOSED TO OTHERS OR REPRODUCED IN ANY MANNER FOR PURPOSE NOT PROVIDED AN AGREEMENT, UNLESS THERE IS THE WRITTEN PERMISSION OF IPIP-SA.

REV.	DESCRIPTION	DATE	DRAWN	CH'D	APP'D
8					
7					
6					
5					
4					
3					
2					
1					

DRAWN	VPV	<i>VPV</i>	DATE: 2004.12
CHECKED	CNO	<i>CNO</i>	SCALE: -
APPROVED	DME	<i>DME</i>	MASA NETA : 0,025 KG



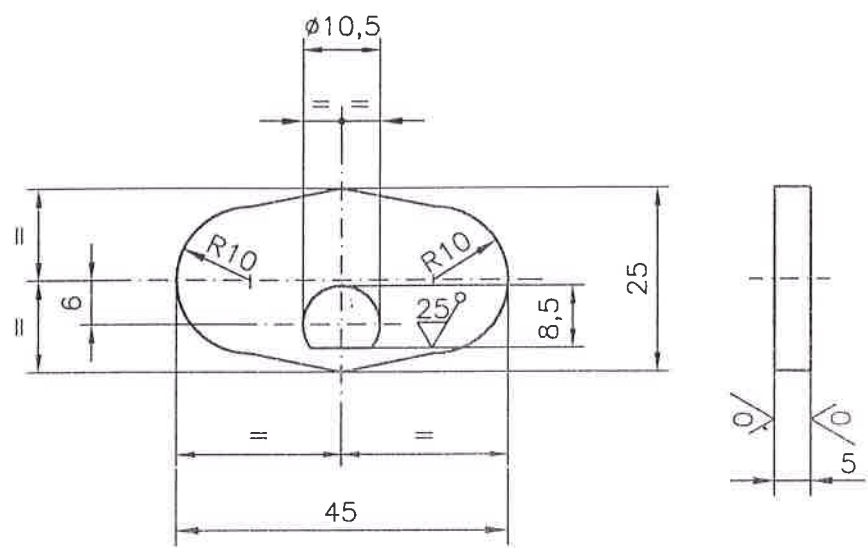
**ROMANIAN ENGINEERING AND DESIGN
 INSTITUTE FOR OIL REFINERIES**
 18, DILIGENTEI STREET
 2000, PLOIESTI-ROMANIA

JOB: 319/2001-Ad.1/2004
 CUSTOMER: S.C.PETROTEL LUKOIL-S.A.
 UNIT: MTBE

**STUD BOLT
 PREZON M10x50**

U.341.208-51.18-0
REV. SHEET
1/1

CODE: 04.936E-95-1
 THESE DATA ARE CONFIDENTIAL AND THE PROPERTY OF IP-SA AND SHALL NOT BE DISCLOSED TO OTHERS OR REPRODUCED IN ANY MANNER FOR PURPOSE NOT PROVIDED AN AGREEMENT, UNLESS THERE IS THE WRITTEN PERMISSION OF IPIP-SA.



MATERIAL: A3CK

50 / / / /

REV.	DESCRIPTION	DATE	DRAWN	CH'D	APP'D
8					
7					
6					
5					
4					
3					
2					
1					

DRAWN	VPV <i>US</i>	DATE: 2004.12
CHECKED	CNO <i>RuL</i>	SCALE: -
APPROVED	DME <i>LA</i>	MASA NETA : 0,038 KG



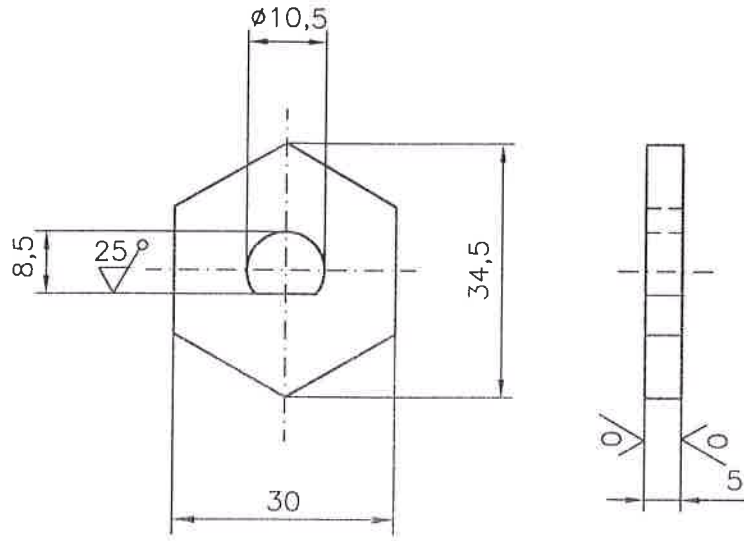
ROMANIAN ENGINEERING AND DESIGN
 INSTITUTE FOR OIL REFINERIES
 18, DILIGENTEI STREET
 2000, PLOIESTI-ROMANIA

JOB: 319/2001-Ad.1/2004
 CUSTOMER: S.C.PETROTEL LUKOIL-S.A.
 UNIT: MTBE

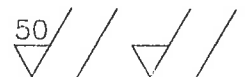
WASHER
 SAIBA SPECIALA

REV. SHEET
 U.341.208-51.19-0 1/1

CODE: 04.936E-95--1
 THESE DATA ARE CONFIDENTIAL AND THE PROPERTY OF IPIP-S.A AND SHALL NOT BE DISCLOSED TO OTHERS OR REPRODUCED IN ANY MANNER FOR PURPOSE NOT PROVIDED AN AGREEMENT, UNLESS THERE IS THE WRITTEN PERMISSION OF IPIP-S.A.



MATERIAL: A3CK



REV.	DESCRIPTION	DATE	DRAWN	CH'D	APP'D
8					
7					
6					
5					
4					
3					
2					
1					



ROMANIAN ENGINEERING AND DESIGN
 INSTITUTE FOR OIL REFINERIES
 18, DILIGENTEI STREET
 2000, PLOIESTI-ROMANIA

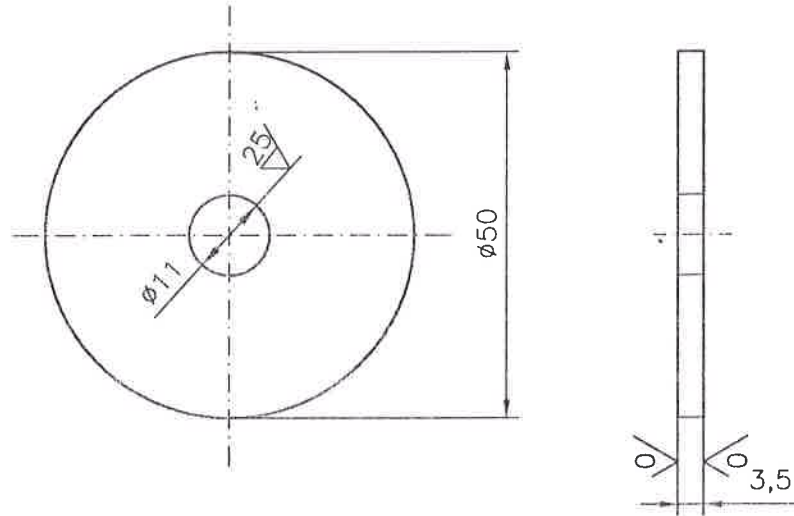
JOB: 319/2001-Ad.1/2004
 CUSTOMER: S.C.PETROTEL LUKOIL-S.A.
 UNIT: MTBE

NUT
 PIULITA SPECIALA

DRAWN: VPV *VPV* DATE: 2004.12
 CHECKED: CNO *CNO* SCALE: -
 APPROVED: DME *DME* MASA NETA : 0,030 KG

REV. SHEET
 U.341.208-51.20-0 1/1

CODE: 04.936E-95-1
 THESE DATA ARE CONFIDENTIAL AND THE PROPERTY OF IPIP-S.A AND SHALL NOT BE DISCLOSED TO OTHERS OR REPRODUCED IN ANY MANNER FOR PURPOSE NOT PROVIDED AN AGREEMENT, UNLESS THERE IS THE WRITTEN PERMISSION OF IPIP-S.A.



MATERIAL: FePO3 Am(A3K-03)



REV.	DESCRIPTION	DATE	DRAWN	CH'D	APP'D
8					
7					
6					
5					
4					
3					
2					
1					
DRAWN	VPV	DATE: 2004.12			
CHECKED	CNO	SCALE: -			
APPROVED	OME	MASA NETA : 0,050KG			

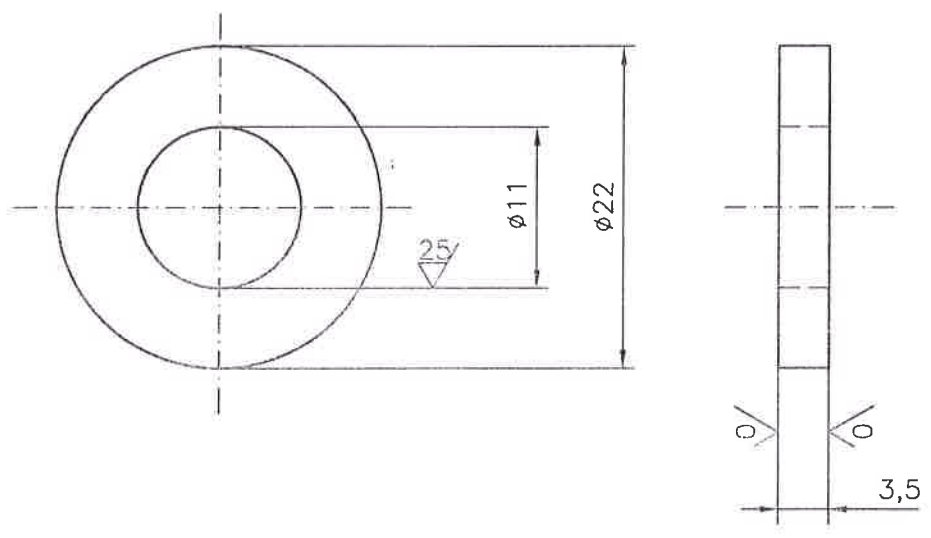


ROMANIAN ENGINEERING AND DESIGN
 INSTITUTE FOR OIL REFINERIES
 18, DILIGENTEI STREET
 2000, PLOIESTI-ROMANIA

JOB: 319/2001-Ad.1/2004
 CUSTOMER: S.C.PETROTEL LUKOIL-S.A.
 UNIT: MTBE

WASHER
 SAIBA ø50

U.341.208-51.4-0
 REV. SHEET
 1/1



MATERIAL: FePO3 Am(A3K-03)



CODE: 04.936E-95-1

THESE DATA ARE CONFIDENTIAL AND THE PROPERTY OF IPIP-SA AND SHALL NOT BE DISCLOSED TO OTHERS OR REPRODUCED IN ANY MANNER FOR PURPOSE NOT PROVIDED AN AGREEMENT, UNLESS THERE IS THE WRITTEN PERMISSION OF IPIP-SA.

REV.	DESCRIPTION	DATE	DRAWN	CH'D	APP'D
8					
7					
6					
5					
4					
3					
2					
1					

DRAWN	VPV	DATE: 2004.12
CHECKED	CNO	SCALE: -
APPROVED	DME	MASA NETA : 0,008 KG



ROMANIAN ENGINEERING AND DESIGN
INSTITUTE FOR OIL REFINERIES
18, DILIGENTEI STREET
2000, PLOIESTI-ROMANIA

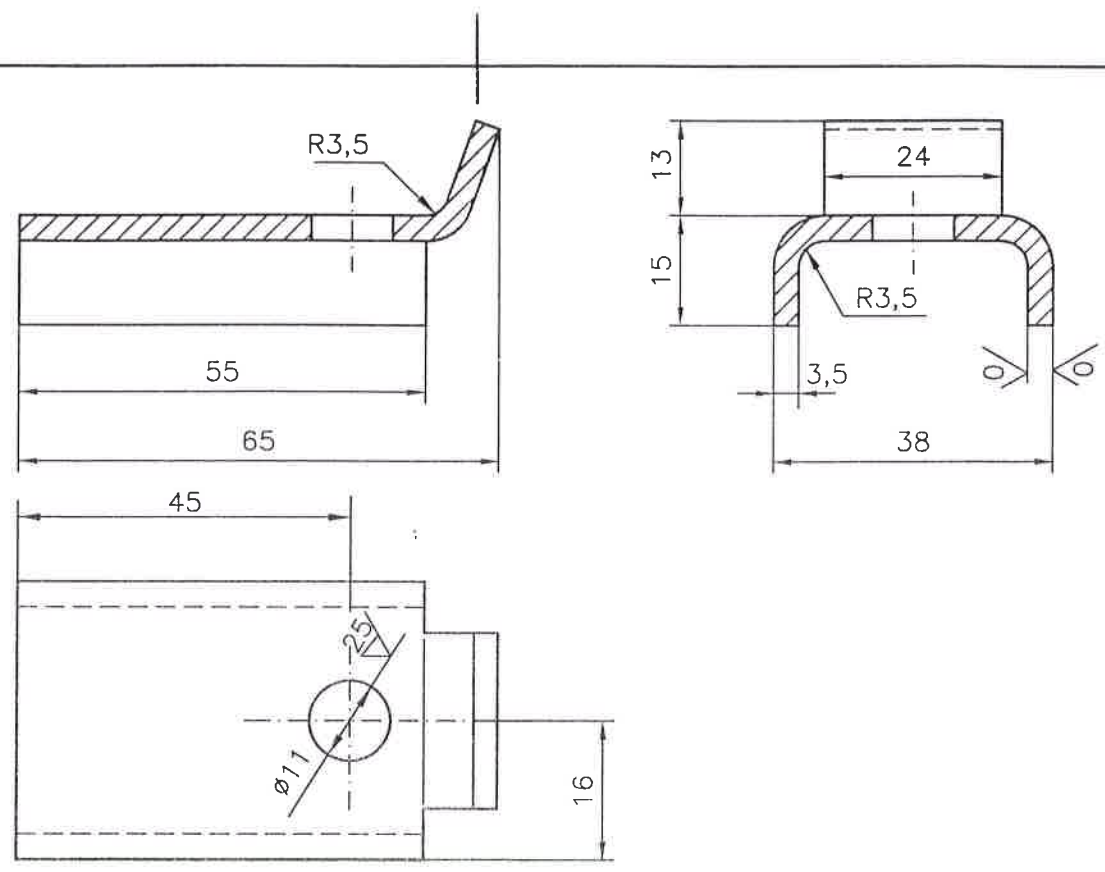
JOB: 319/2001-Ad.1/2004
CUSTOMER: S.C.PETROTEL LUKOIL-S.A.
UNIT: MTBE

WASHER
SAIBA ø22

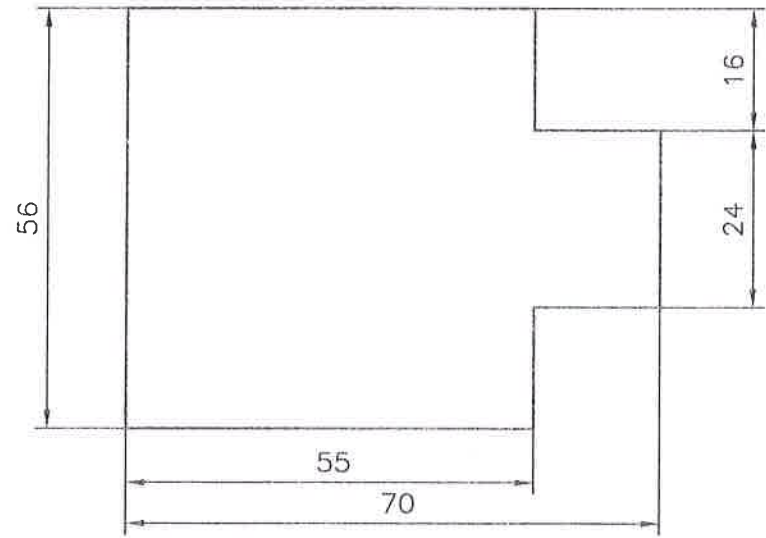
U.341.208-51.5-0
REV. SHEET
1/1

CODE: 04.936E-95-1

THESE DATA ARE CONFIDENTIAL AND THE PROPERTY OF IPIP-S.A AND SHALL NOT BE DISCLOSED TO OTHERS OR REPRODUCED IN ANY MANNER FOR PURPOSE NOT PROVIDED AN AGREEMENT, UNLESS THERE IS THE WRITTEN PERMISSION OF IPIP-S.A.



DEVELOPED
DESFAURATA



MATERIAL: FePO3 Am(A3K-03)



REV.	DESCRIPTION	DATE	DRAWN	CH'D	APP'D
8					
7					
6					
5					
4					
3					
2					
1					

DRAWN	VPV	DATE: 2004.12
CHECKED	CNO	SCALE: -
APPROVED	DME	MASA NETA : 0,095 KG



ROMANIAN ENGINEERING AND DESIGN
INSTITUTE FOR OIL REFINERIES
18, DILIGENTEI STREET
2000, PLOIESTI-ROMANIA

JOB: 319/2001-Ad.1/2004
CUSTOMER: S.C.PETROTEL LUKOIL-S.A.
UNIT: MTBE

BOTTOM TRAY CLAMP
CLEMA

REV. SHEET
U.341.208-51.6-0 1/1